



Delivery Stand Owner's Manual

ver 1.0

WARNING

Not for use in wet applications!

This Unit Is Acceptable For Indoor Installation Only.

This Unit Is A Non-submersible Pump.

RISK OF ELECTRICAL SHOCK –

This Pump Has Not Been Investigated For Use In Swimming Pool

Or Marine Areas.

Warranty

ExpressKey, GinSan, IVS, & Trusco Group of Companies (Company) provides a limited one year warranty on components and piece of equipment produced by the Company to be free from defects in material and workmanship. Electrical assemblies see Appendix A, have a limited two year warranty on the controller to be free from defects in material and workmanship. This limited warranty does not cover equipment that has been damaged due to misuse, misapplication, modification, altered, neglected, attempted theft, vandalism, connection to improper voltage supply, modification, or such parts that are commonly recognized to be subject to wear in normal usage. Normal use products are, but not limited to, those listed on Appendix B; which are warranted for 90 days. Every component and piece of equipment is packaged to assist in safe handling of the product.

Claims must be submitted in writing within the appropriate coverage period as covered by this warranty, from date of shipment, to the Company's warranty/repair department. If the return is approved an RMA and labeling instructions will be issued and the product can be returned. Returned product without the appropriate RMA and label will be issued to scrap and all warranties/replacements will be considered null and void. A testing fee of \$15.00 will be applied, if the product passes all tests related to the written claim, then the fee will be applied and paid prior to return of the product. If the product fails the test then the fee will not be applied. The Company may charge a 20% restocking fee for returned product and/or an order, which is canceled, and material has already been ordered and/or received to fill such order.

The Company's warranty/repair department will inspect all components, submitted under warranty. Warranty replacement will be based solely on the analysis and confirmation that the product defect was caused by material and/or workmanship. The company reserves the right to change the design of the product without assuming any obligation to modify any product previously manufactured or to replace warranted product other than with redesigned product.

In some cases it is easier for the customer to send a Company purchased product direct to the manufacturer for replacement. In those cases the customer will be notified that their product falls under that process and should work with that manufacturer directly. Appendix C shows the purchased parts that falls under this case.

This warranty covers the product replacement only; charges for damages, freight and/or labor will not be accepted. There are no warranties expressed or implied which extend beyond this Limited Warranty. The loss of use of the product, loss of time, inconvenience, commercial loss, incidental or consequential damages is not covered. The Company shall not be liable for incidental, special, or consequential damages including without limitation damages resulting from personal, bodily injury or death or damages to or loss of use of property.

System Requirements:

Electrical: 220vac Single Phase 20amp

Space Requirements:

Free Standing:

52" H x 27" W x 20" D

Wall Mount:

50" H x 27" W x 20" D

Installation:

Wall Mount: Mount unit with fasteners and washers (not included) using the six keyhole slots on the frame, making sure unit is level. **Unit must be plumb and level to insure proper operation.**

Floor Mount: Screw in four leveling feet (included) to bottom of support legs. Place unit in desired location on floor. Turn feet to level unit. **Unit must be plumb and level to insure proper operation.**

Plumbing:

Inlet: Attach a 1" feed from the storage tank to the 1" barbed pump inlet using hose clamp.



Outlet:

Automatic: Attach 1" hose from automatic bay to automatic outlet using hose clamp.



Self Serve Bays: Attach tubing from self serve bay to outlets on self serve delivery manifold. The top outlet goes to bay 1, bay 2 to the next outlet down, and so on down the manifold.



Do not connect the outlet of the regulator on the delivery stand to the product water hose coming from the RO unit to the storage tank. Causing back pressure to the membranes in this manner will destroy the membranes.

Electrical: The 220v feed to the delivery stand needs to be hardwired to the site's electrical system and must comply with all local and national codes.

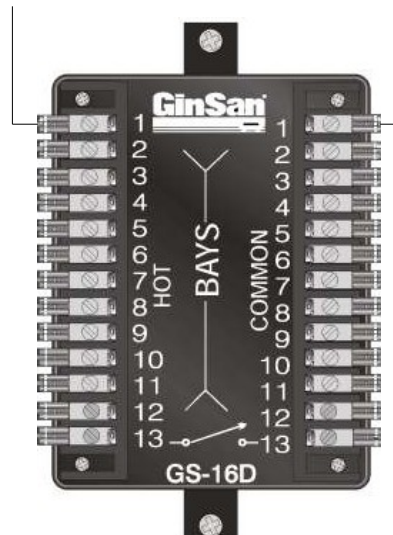
Low water cutoff: Locate the cable from the low water float inside the storage tank. Connect the black wire to "A" and the white wire to "B" on the terminal strip inside the junction box on the delivery stand.



Automatics: Connect the 24v turn on signal wire from the first automatic bay to "C" and "D" on the terminal strip inside the junction box on the delivery stand. If stand is equipped for a second automatic bay, connect the 24v signal from the second automatic bay to "E" and "F" on the terminal strip.

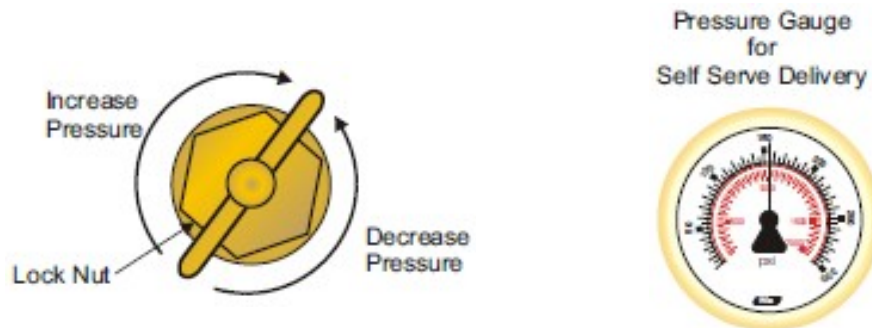
Self serve bays: Connect the spot free rinse signal wire from bay 1 to #1 on the HOT side of the GS 16D. Connect a 24v common wire from bay 1 to #1 on the COMMON side of the GS 16D. The spot free rinse signal from bay 2 connects to #2 on the HOT side of the GS 16D. The common from bay 2 connects to #2 on the COMMON side of the GS 16D. Continue in this manner until all bays are connected.

Hot from bay 1 Common from bay 1



Startup:

Open feed valve from the storage tank. Turn on the Spot Free Rinse function to start the delivery system. Once the air is purged from the hoses, set the operating pressure using the delivery regulator. The delivery regulator is located at the end of the delivery pump. The pressure gauge for bay delivery is located at the top of the solenoid valves. The pressure gauge for an automatic is located at the outlet of the pump. Loosen the lock nut on the regulator. Adjust the regulator until the pressure gauge reads 150-160 with the Spot Free Rinse operating in the self serve bays. Tighten the lock nut.



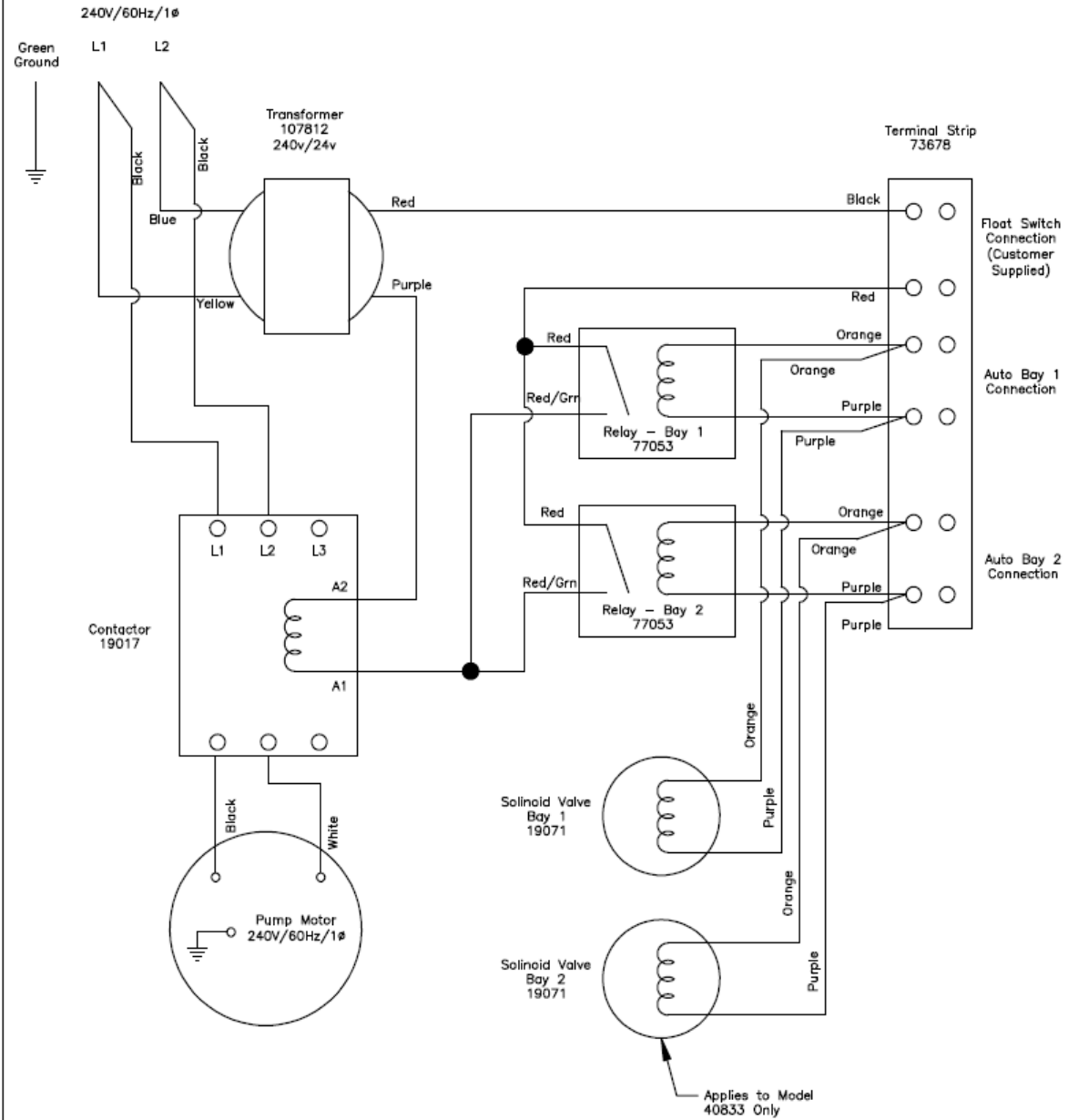
If delivery pump does not start:

- Verify 220V AC power coming into unit.
- Verify that there is enough water inside the storage tank to lift the low water float switch.
- Verify low water switch is working correctly by testing for continuity between terminals "A" and "B" on the terminal strip when the lower float switch in the storage tank is lifted.
- Verify 24V AC signal coming from bay is reaching the appropriate inputs.
 - Automatic bays: C and D (for bay 1) or E and F(for bay 2) on the terminal strip.
 - Self serve bays: Opposite sides of the GS 16-D for corresponding bay number.

Wiring Diagram for One or Two Automatics

DRWN. BY **GLS** DATE **10/15/08**

The information contained herein is the exclusive property of GinSan Industries and is loaned for the expressed purpose of production or quoting of the item or items depicted for GinSan Industries. This document may not be reproduced or disseminated in whole or in part by any means without the specific written authorization of GinSan Industries.



Applies to the following models:		
Model	Description	Motor HP
40832	1 Automatic Bay	1.0
40833	2 Automatic Bays	2.0

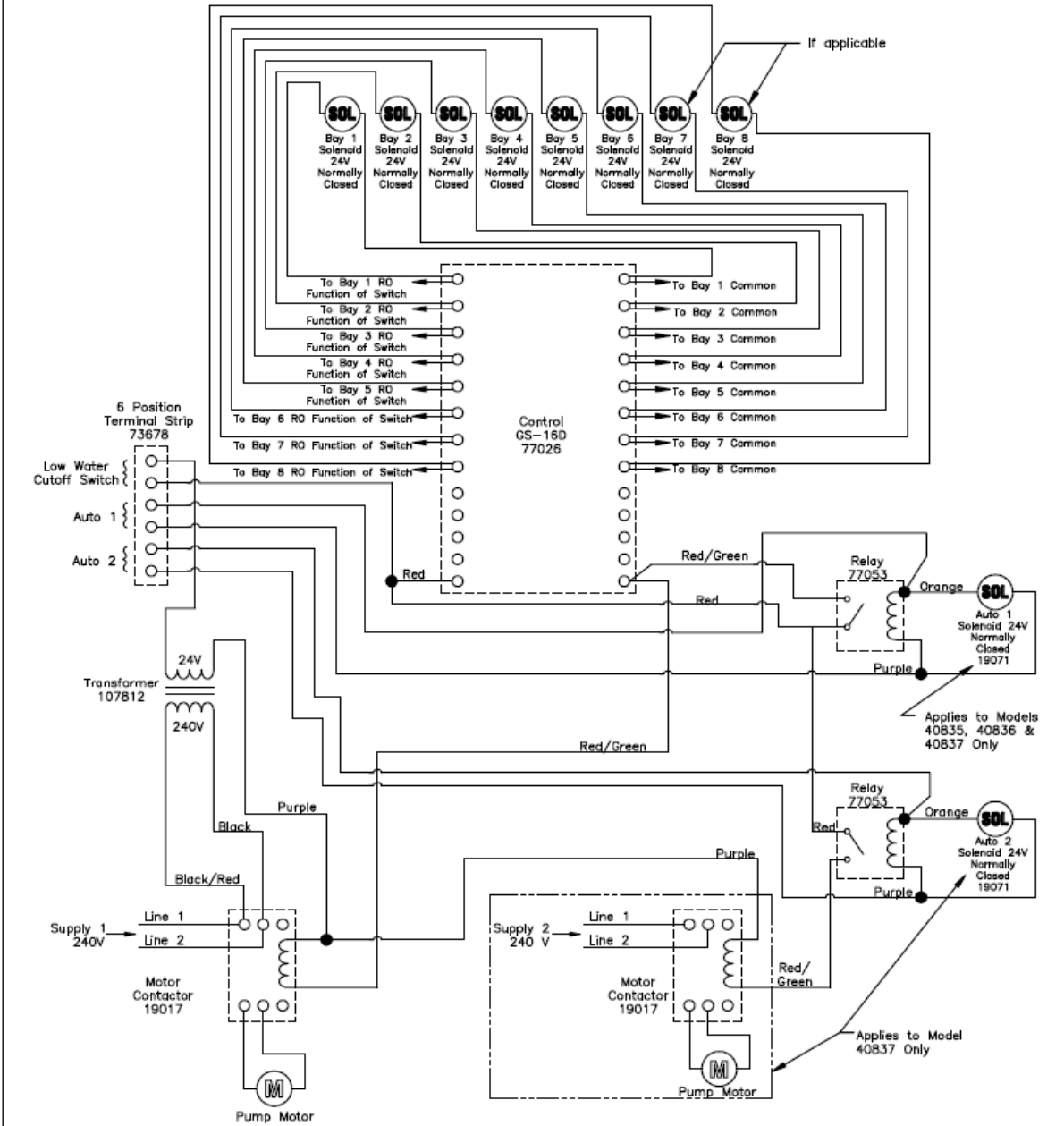


REVISIONS						UNIT Pure Quality Delivery Stand See chart	
DESCRIPTION	DATE	INT	DESCRIPTION	DATE	INT	VOLT	MOTOR
REMOVED TRANSFORMER FUSES CORRECTED PUMP MOTOR P/N ADDED 1 AUTO AND CHART	03/25/09	DRB				240v/60Hz/1Ø	See Chart

Wiring Diagram for Self Serve Bays with or without Automatics

DRWN. BY DRB DATE 03/17/09

The information contained herein is the exclusive property of GInSan Industries and is loaned for the expressed purpose of production or quoting of the item or items depicted for GInSan Industries. This document may not be reproduced or disseminated in whole or in part by any means without the specific written authorization of GInSan Industries.



Applies to the following models:

Model	Description	Motor HP	Self-Serv Bay Solenoid
40834	8 Self-Serv Bays	1.0	(2) 18575
40835	1 Auto Bay & 1-3 Self-Serv Bays	2.0	(1) 18580
40836	1 Auto Bay & 1-7 Self-Serv Bays	2.0	(1) 18575 & (1) 18580
40837	2 Auto Bays & 1-6 Self-Serv Bays	(1) 1.0 & (1) 2.0	(1) 18575 & (1) 18579

REVISIONS

DESCRIPTION	DATE	INT	DESCRIPTION	DATE	INT
	--	--			



UNIT Pure Quality Delivery Stand
See Chart

VOLT 240v/60Hz/1# MOTOR See Chart

Parts List

Part Number	Description
17008	Pump and Motor
89114	Pressure Regulator
24697P	Gauge, rear mount
24564P	Gauge, bottom mount
19071	3/4" NC solenoid valve
18575K	Solenoid block 4 valve